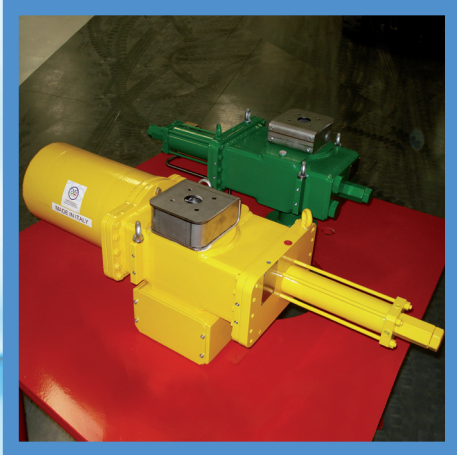


DVG AUTOMATION

the excellence in flow control automation



"BY" SERIES
Hydraulic ACTUATORS

INTRODUCTION

The DVG Automation newly designed “BY” Series incorporates several new design features to provide higher efficiency and cost effective solution. These actuators shows lightweight and compact design but above all introduce a new generation of patented mechanism which minimizes wearing effect on all loaded & sliding parts, thus extending overall lifespan.

These features boost BY Series for all modulating as well as heavy-duty services virtually fitting any quarter turn (90 deg) application.

Construction and design make this product ideal for FPSO vessel, skid manufacturers and wherever space constraint and overall weight issues may arise.

OPERATING RANGE

Three off actuator center-body size available.

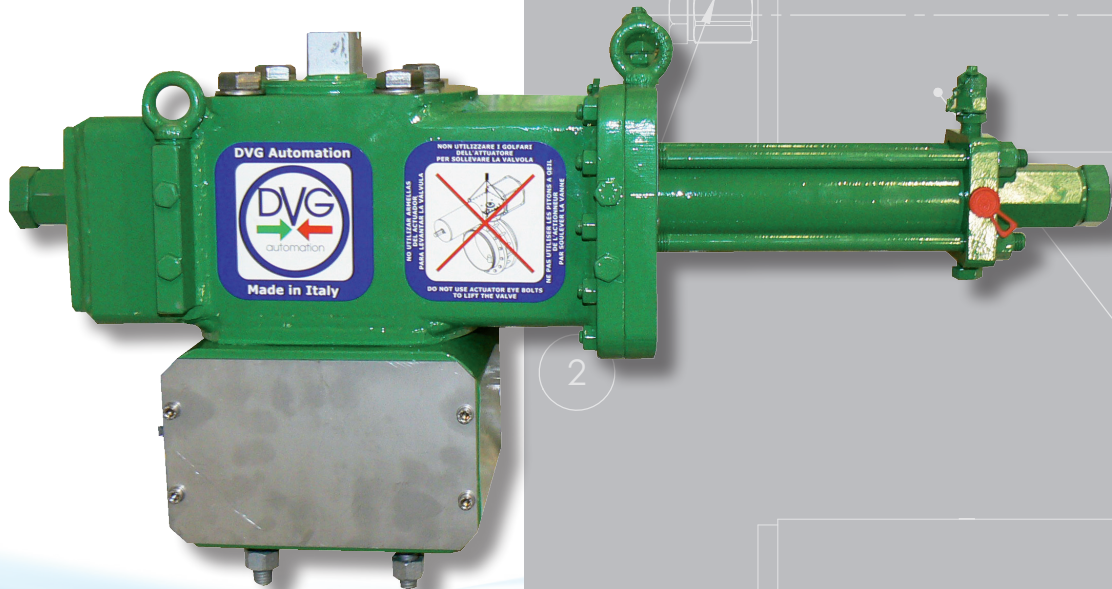
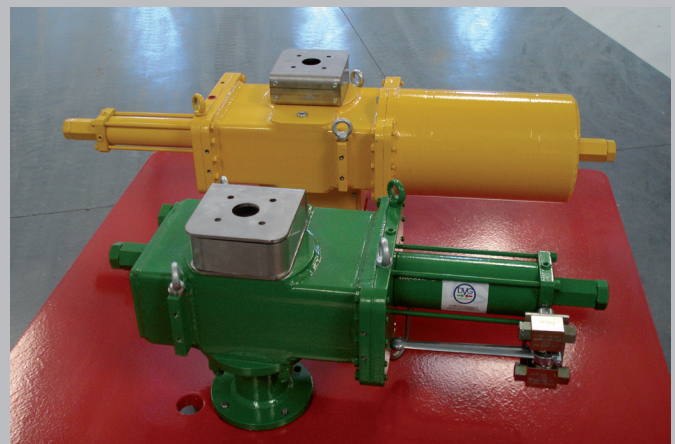
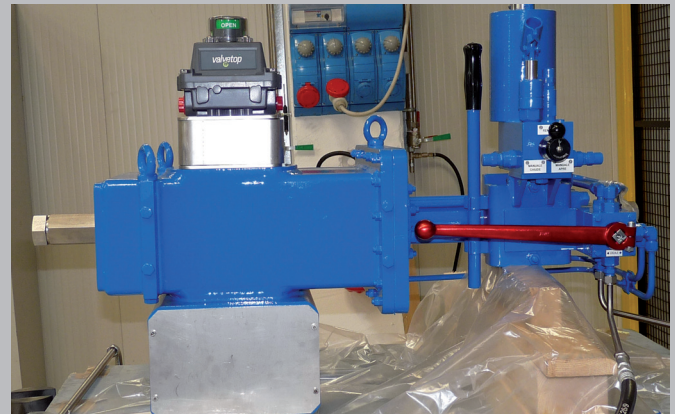
The DVG Automation double-acting BY Series are available with individual test and guaranteed minimum output torque ranging from **40 Nm (350 lb-in) to 7,500 Nm (66,375 lb-in)**.

Our single acting BY series requires pressure in only one stroking direction and they are available both for fail clockwise and counterclockwise application by simply reversing actuator mounting plane. These models produce spring ending torque ranging from **31 Nm (275 lb-in) to 2080 Nm (21,080 lb-in)**.

The Hydraulic operating pressure for the BY Series ranges between 10 barg (**30 psig**) and 220 barg (**3190 psig**).

Their standard design construction allows operating temperature from **-30 degC (-22 degF) to +93 degC (+199 degF)**.

Low Temperature extended operating range down to **-60 degC (-76 degF)**.



2

4

KEY DESIGN FEATURES & ADVANTAGES

Bar Yoke:

Patented Mechanism which zeroes mechanical clearances between cylinder piston rod and driving module.

Mechanism Guide System:

Patented Dual Guide Bar hard chromium plated to minimize/zeroing driving block swing extending piston rod lifespan under heavy load &/or continuous modulating duty.

Symmetric or canted yoke:

BY Series is available with either symmetric or canted yoke design depending on valve torque profile demand.

Swept Volume:

Reduced air consumption with higher efficiency

Water ingress protection:

totally enclosed and weather-proof actuator center-body is engineered to meet IP66, IP67 IP67M and NEMA 4 & 4X specifications for submerged and high pressure water deluge application.

Materials:

Cylinder Tube & all structural parts are manufactured in carbon steel material:

no cast/grey iron or aluminum parts are present.

All pressure containing part are supplied with 3.1 certificate according to EN10204. DVG guarantees, where applicable, that actuator and are designed and manufactured according to PED (97/23 CE) directive . Cylinder tube is internally nickel-plated lined (minimum 25µm). Nickel-plating layer can be increased upon request.

Seal:

Teflon ring with external charging O-ring and internal sealing O-ring prevents sticking phenomena after prolonged operation-less period and ensures reduced hysteresis and high sensitivity.

Bearing:

dual piston PTFE sliding guide. Yoke arm & shaft are mounted with steel bronze Teflon coated bushing to minimize wearing effect and show higher sensitivity.



Output shaft:

symmetric squared output shaft nickel-plated for corrosion resistance and reduced friction.

Labeling:

AISI 316 Stainless steel embossed name plate ensures long last information preservation guaranteeing lifetime traceability.

Travel stops:

External travel stops with protective cap ensure precise angular stroke adjustment up to -5deg/+5deg at each end.

OPTIONAL FEATURES

Mounting pad:

accessory mounting pad allows dual side mounting do not require fixing modification in case of rear side assembly.

Manual Override Option:

DVG Automation BYH series can be supplied with hydraulic manual override system for both double acting and spring return actuator.

Power is provided by operation of local manual hydraulic hand pump.

Open and close action can be selected by means of a directional control valve.

Lifting point:

by means of DIN certified eyelet (three or four off lifting point according to center-body size).

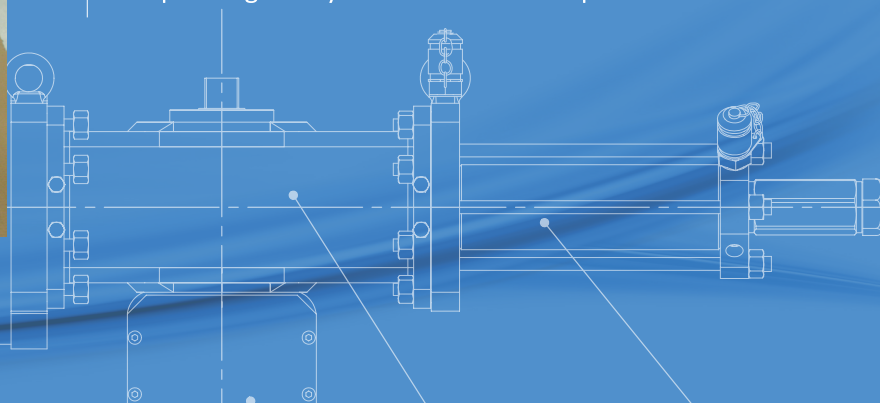
CONTROL SYSTEM

Actuator Control Systems are integral part of any automated valve package. Our BY Series actuators can be equipped with extensive range of auxiliary components specifically engineered and integrated to meet the largest variety of Customers' requests either for ON/OFF or modulating.

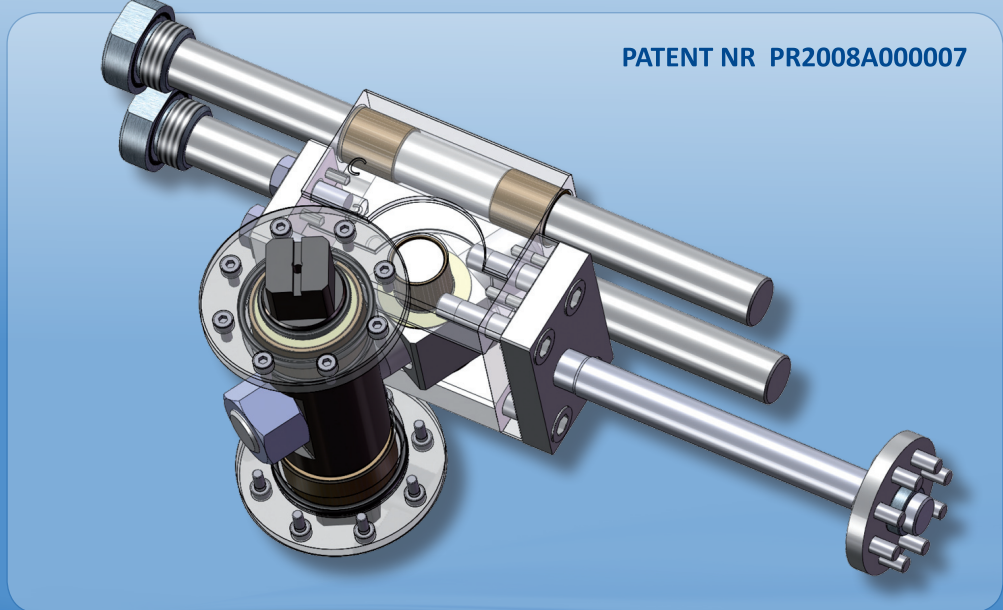
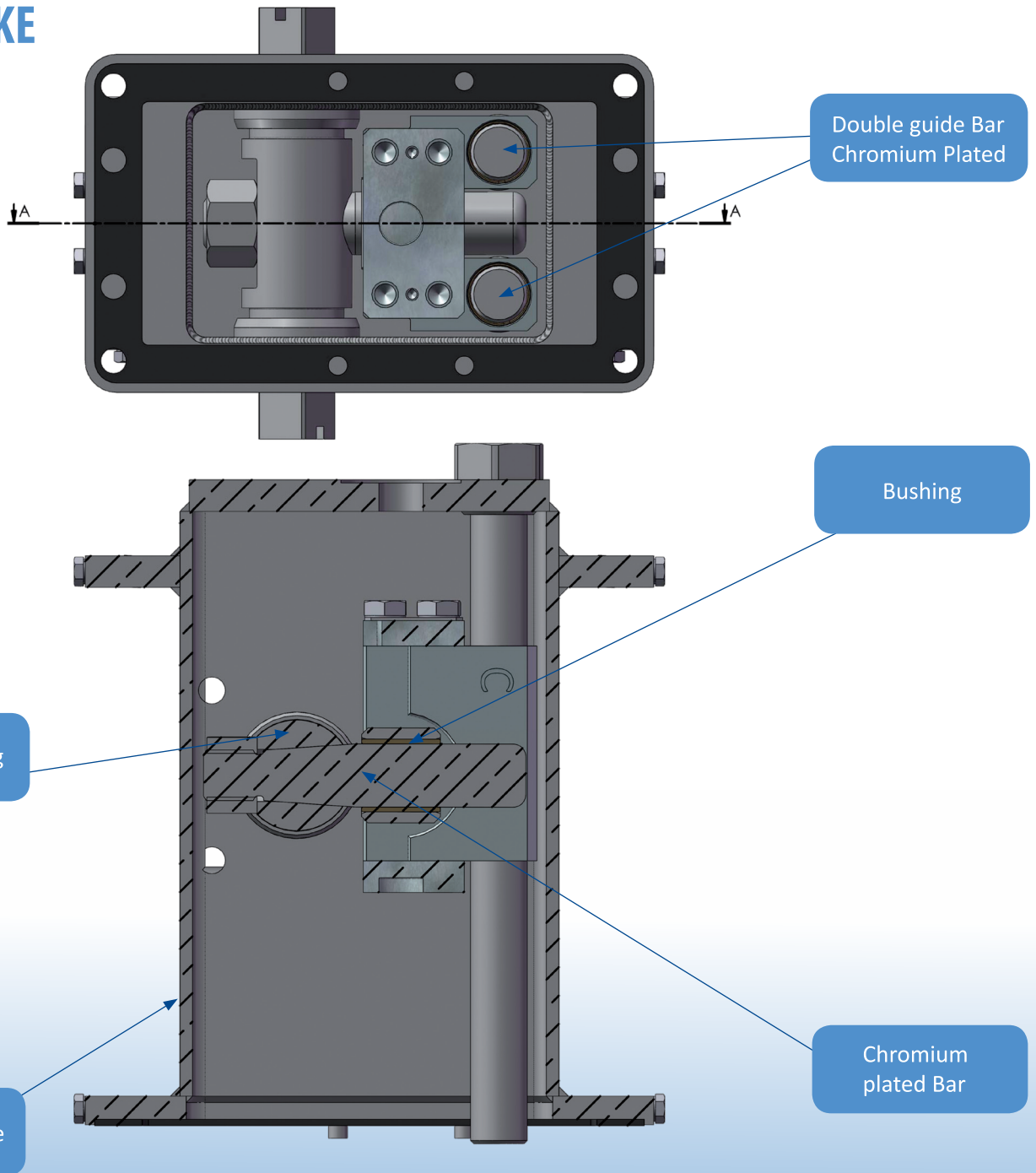
Our Control System can be housed within cabinet &/or stainless steel (AISI316) panel folded over to provide sun-shade, and assembled on actuator or at remote location

Position Monitor Device:

Virtually all positioning monitor devices can be assembled on top of our BY Series actuators, responding to any kind of technical requirement.



BAR YOKE



BY SERIES double acting torque

BYH-50S-55

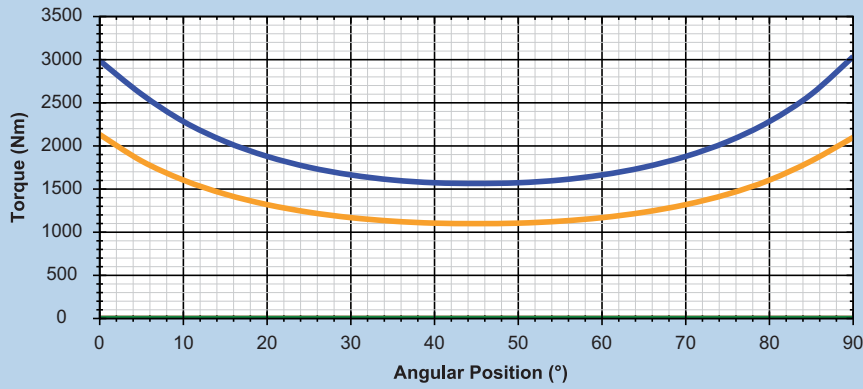


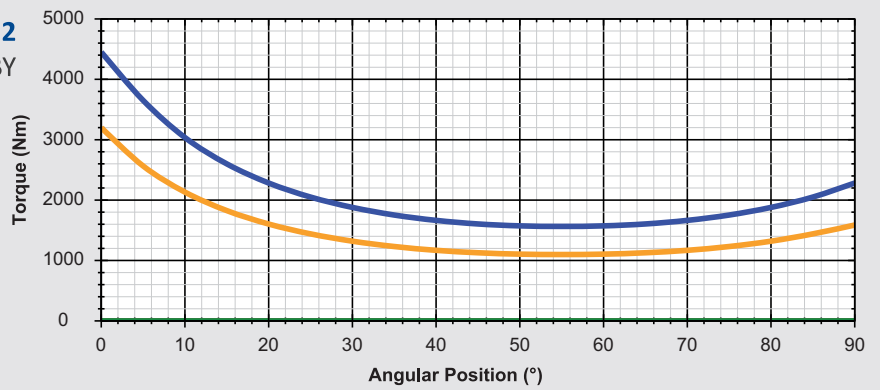
FIGURE 1

Torque for symmetric double acting BY

BYH-50C-55

FIGURE 2

Torque for canted double acting BY



BY SERIES single acting torque

BYHS-20S-30-2C-CL

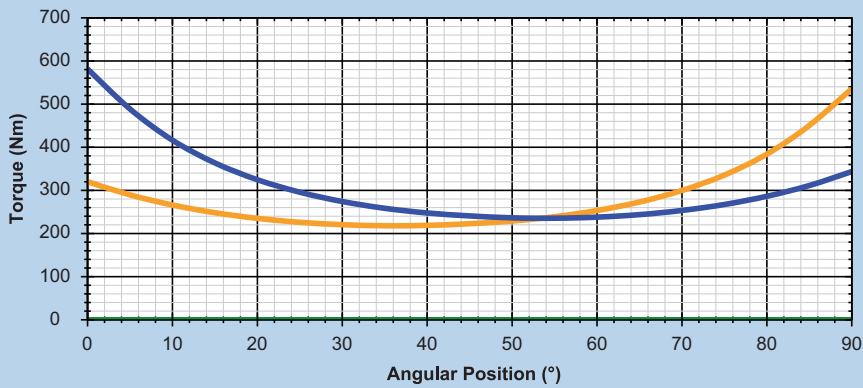


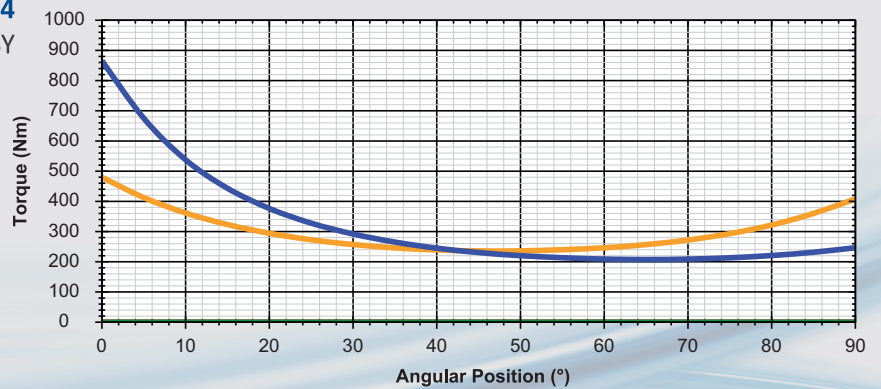
FIGURE 3

Torque for symmetric single acting BY

BYHS-20C-30-2C-CL

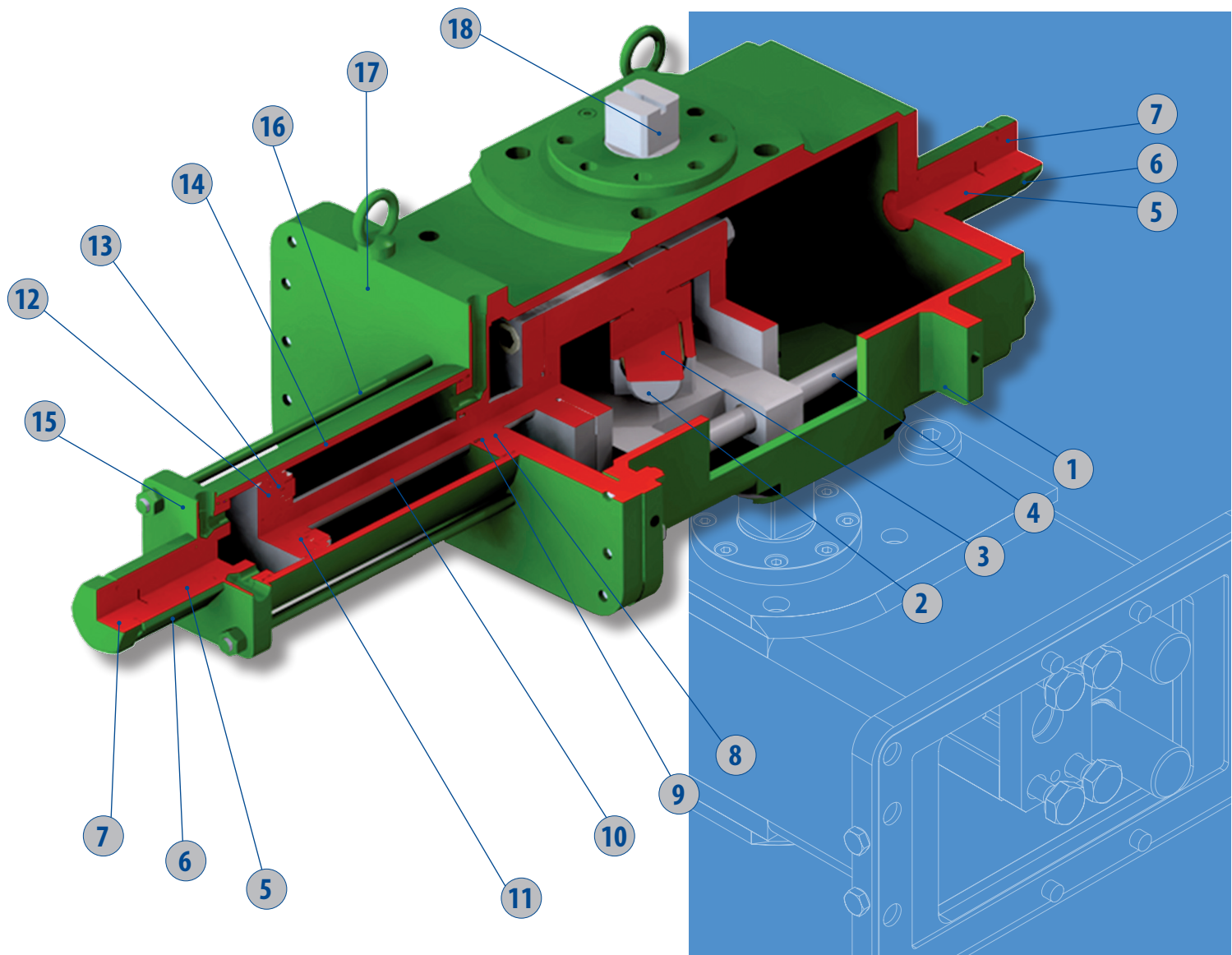
FIGURE 4

Torque for canted single acting BY



BY SERIES

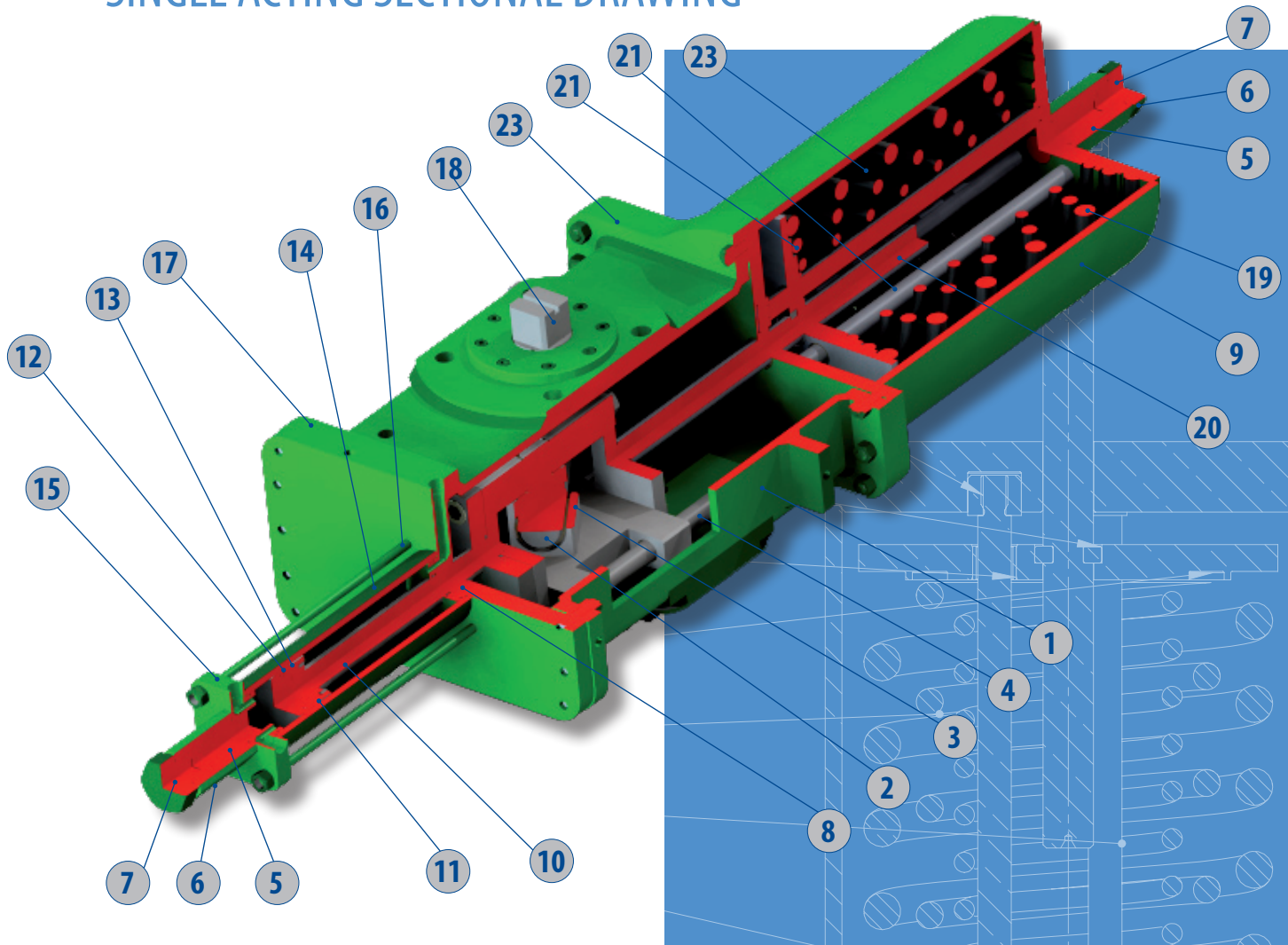
DOUBLE ACTING SECTIONAL DRAWING



ITEM	DESCRIPTION	EN MATERIAL	ASTM MATERIAL
1	Housing	S355 J2 H EN 10210	ASTM A500 Grade C
2	Bar Yoke	42CrMo4 EN 10083	AISI (4140)
3	Yoke Bushing	Carbon steel + Bronze + PTFE	Carbon steel + Bronze + PTFE
4	Guide bar	42CrMo4 EN 10083	AISI (4140)
5	Travel stop screw	Class 45H ISO 4026	Class 45H ISO 4026
6	Stop screw protection	X5 CrNi 18 10	ASTM A276/276MTP304
7	Plug	X5 CrNi 18 10	ASTM A276/276MTP304
8	Piston rod bushing	Carbon steel + Bronze + PTFE	Carbon steel + Bronze + PTFE
9	Piston rod seal	NBR (FKM – MFQ – CR) + PTFE	NBR (FKM – MFQ – CR) + PTFE
10	Piston rod	42CrMo4 EN 10083	AISI (4140)
11	Piston	S355 J2G3 EN 10025	ASTM A570 Grade 50
12	Piston seal	NBR (FKM – MFQ – CR) + PTFE	NBR (FKM – MFQ – CR) + PTFE
13	Piston sliding guide	PTFE - Graphite	PTFE - Graphite
14	Cylinder tube	E355 K2+N EN 10297 - 10305	ASTM A500 Grade C
15	Cylinder End flange	S355 J2G3 EN 10025	ASTM A570 Grade 50
16	Tie rod	ASTM A320L7	ASTM A320L7
17	Cylinder Head flange	S355 J2G3 EN 10025	ASTM A570 Grade 50
18	Stem	42CrMo4 EN 10083	AISI (4140)

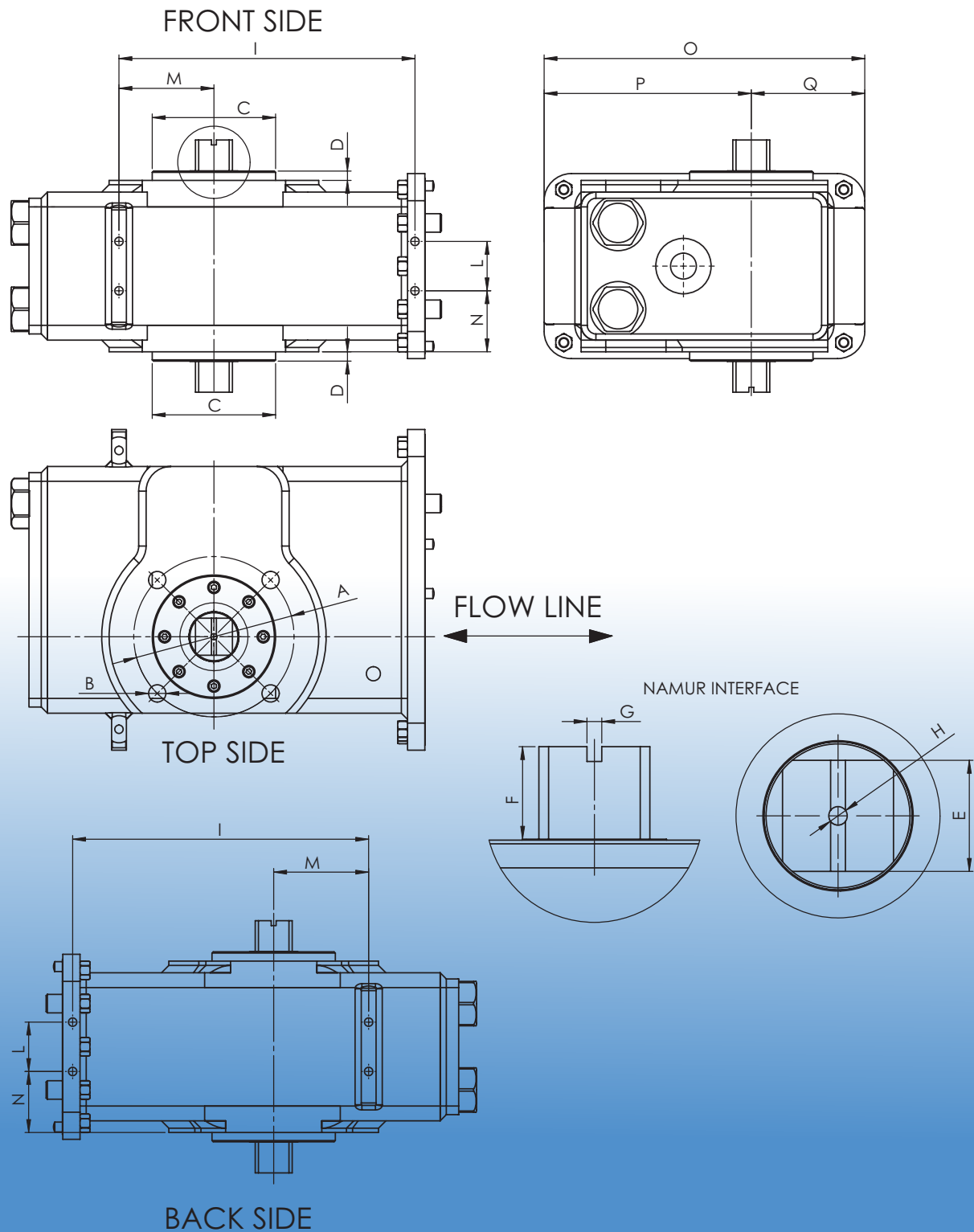
BY SERIES

SINGLE ACTING SECTIONAL DRAWING



ITEM	DESCRIPTION	EN MATERIAL	ASTM MATERIAL
1	Housing	S355 J2 H EN 10210	ASTM A500 Grade C
2	Bar Yoke	42CrMo4 EN 10083	AISI (4140)
3	Yoke Bushing	Carbon steel + Bronze + PTFE	Carbon steel + Bronze + PTFE
4	Guide bar	42CrMo4 EN 10083	AISI (4140)
5	Travel stop screw	Class 45H ISO 4026	Class 45H ISO 4026
6	Stop screw protection	X5 CrNi 18 10	ASTM A276/276MTP304
7	Plug	X5 CrNi 18 10	ASTM A276/276MTP304
8	Piston rod bushing	Carbon steel + Bronze + PTFE	Carbon steel + Bronze + PTFE
9	Spring cartridge tube	E355 K2+N EN 10297 - 10305	ASTM A500 Grade C
10	Piston rod	42CrMo4 EN 10083	AISI (4140)
11	Piston	S355 J2G3 EN 10025	ASTM A570 Grade 50
12	Piston seal	NBR (FKM – MFQ – CR)	NBR (FKM – MFQ – CR)
13	Piston sliding guide	PTFE - Graphite	PTFE - Graphite
14	Cylinder tube	E355 K2+N EN 10297 - 10305	ASTM A500 Grade C
15	Cylinder End flange	S355 J2G3 EN 10025	ASTM A570 Grade 50
16	Tie rod	ASTM A320L7	ASTM A320L7
17	Cylinder Head flange	S355 J2G3 EN 10025	ASTM A570 Grade 50
18	Stem	42CrMo4 EN 10083083	AISI (4140)
19	Spring	EN-10270-2-FDSiCr	ASTM A-401
20	Spring cartridge rod	42CrMo4 EN 10083	AISI (9840)
21	Spring cartridge load flange	S355 J2G3 EN 10025	ASTM A570 Grade 50
22	Spring cartridge guide bar	42CrMo4 EN 10083	AISI (4140)
23	Spring cartridge flange	S355 J2G3 EN 10025	ASTM A570 Grade 50

HOUSING MOUNTING HOLES AND INTERFACE

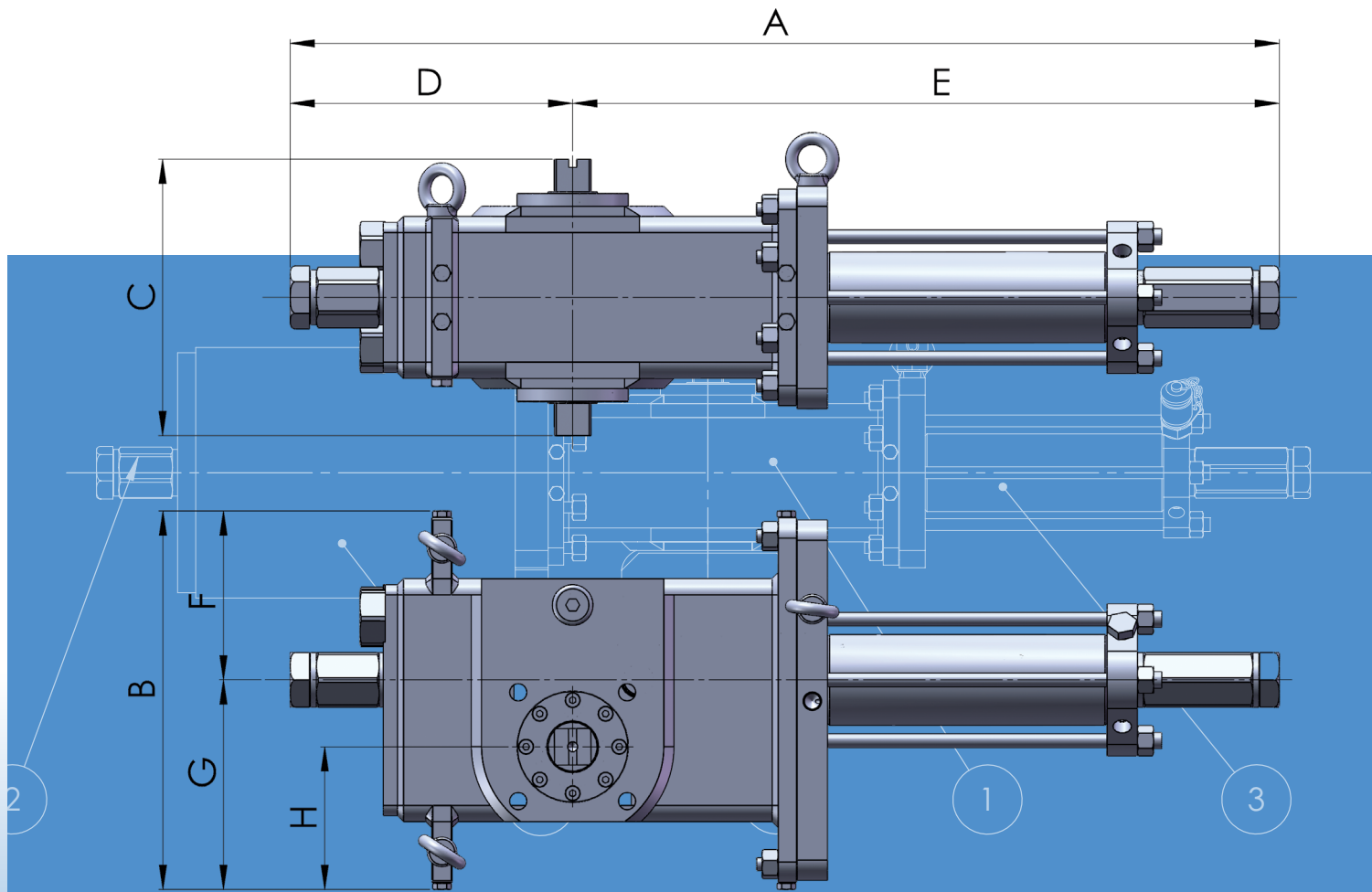


8

model size	A	B	C	D	E	F	G	H	I	L	M	N	O	P	Q
5	76	N4 M10	55	6.5	18	16	4	M6	170	24	64.5	33	180	113	67
20	130	N4 M16	100	7.5	30	25	4	M6	240	40	77	50,5	260	168	92
50	165	N4 M20	129	10	45	45	4	M6	360	85	124.5	60,5	345	228	117

OVERALL DIMENSIONS

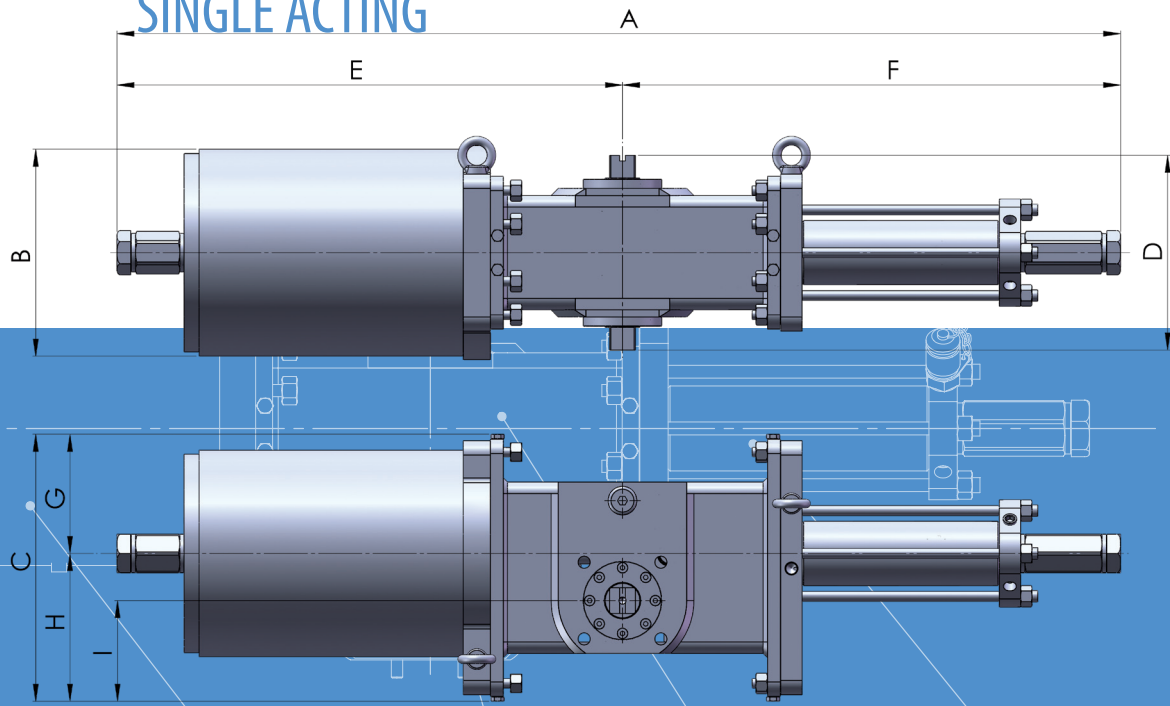
DOUBLE ACTING



Model Size	A	B	C	D	E	F	G	H	Weight(Kg)
BYH-05S/C-20	495	187	137	140	355	84	103	71	13
BYH-05S/C-25	495	187	137	140	355	84	103	71	13
BYH-05S/C-30	495	187	137	140	355	84	103	71	13
BYH-05S/C-40	495	187	137	140	355	84	103	71	13
BYH-05S/C-50	495	187	137	140	355	84	103	71	13
BYH-20S/C-20	750	271	210	225	525	119	152	98	41
BYH-20S/C-30	750	271	210	225	525	119	152	98	42
BYH-20S/C-45	750	271	210	225	525	119	152	98	42
BYH-20S/C-55	750	271	210	225	525	119	152	98	43
BYH-20S/C-65	750	271	210	225	525	119	152	98	43
BYH-20S/C-75	750	271	210	225	525	119	152	98	43
BYH-50S/C-30	960	358	317	331	629	158	200	124	105
BYH-50S/C-40	960	358	317	331	629	158	200	124	108
BYH-50S/C-55	960	358	317	331	629	158	200	124	109
BYH-50S/C-65	1010	358	317	331	679	158	200	124	112
BYH-50S/C-75	1010	358	317	331	679	158	200	124	115
BYH-50S/C-95	1010	358	317	331	679	158	200	124	117

OVERALL DIMENSIONS

SINGLE ACTING



10

Model Size	A	B	C	D	E	F	G	H	I	Weight(Kg)
BYHS-05S/C-20-1A	695	140	187	137	340	355	84	103	71	20
BYHS-05S/C-20-1B	695	140	187	137	340	355	84	103	71	20
BYHS-05S/C-20-1C	695	140	187	137	340	355	84	103	71	20
BYHS-05S/C-20-1D	695	140	187	137	340	355	84	103	71	21
BYHS-05S/C-20-1E	695	140	187	137	340	355	84	103	71	21
BYHS-05S/C-20-1F	695	140	187	137	340	355	84	103	71	21
BYHS-05S/C-20-1G	695	140	187	137	340	355	84	103	71	22
BYHS-05S/C-20-1H	695	140	187	137	340	355	84	103	71	22
BYHS-05S/C-25-1A	703	145	187	137	348	355	84	103	71	24
BYHS-05S/C-25-1B	703	145	187	137	348	355	84	103	71	24
BYHS-05S/C-25-1C	703	145	187	137	348	355	84	103	71	24
BYHS-05S/C-25-1D	705	145	187	137	350	355	84	103	71	25
BYHS-05S/C-25-1E	705	145	187	137	350	355	84	103	71	25
BYHS-05S/C-251F	705	145	187	137	350	355	84	103	71	25
BYHS-05S/C-251G	705	145	187	137	350	355	84	103	71	26
BYHS-05S/C-25-1H	705	145	187	137	350	355	84	103	71	26
BYHS-05S/C-30-1A	710	148	187	137	355	355	84	103	71	28
BYHS-05S/C-30-1B	710	148	187	137	355	355	84	103	71	28
BYHS-05S/C-30-1C	710	148	187	137	355	355	84	103	71	28
BYHS-05S/C-30-1D	710	148	187	137	355	355	84	103	71	28
BYHS-05S/C-30-1E	710	148	187	137	355	355	84	103	71	28
BYHS-05S/C-30-1F	710	148	187	137	355	355	84	103	71	30
BYHS-05S/C-30-1G	710	148	187	137	355	355	84	103	71	30
BYHS-05S/C-30-1H	710	148	187	137	355	355	84	103	71	30
BYHS-05S/C-40-1A	720	151	187	137	365	355	84	103	71	34
BYHS-05S/C-40-1B	720	151	187	137	365	355	84	103	71	34
BYHS-05S/C-40-1C	720	151	187	137	365	355	84	103	71	34
BYHS-05S/C-40-1D	720	151	187	137	365	355	84	103	71	34
BYHS-05S/C-40-1E	720	151	187	137	365	355	84	103	71	34
BYHS-05S/C-40-1F	722	151	187	137	367	355	84	103	71	35
BYHS-05S/C-40-1G	722	151	187	137	367	355	84	103	71	35
BYHS-05S/C-40-1H	722	151	187	137	367	355	84	103	71	35
BYHS-05S/C-50-1A	730	156	187	137	375	355	84	103	71	38
BYHS-05S/C-50-1B	730	156	187	137	375	355	84	103	71	38

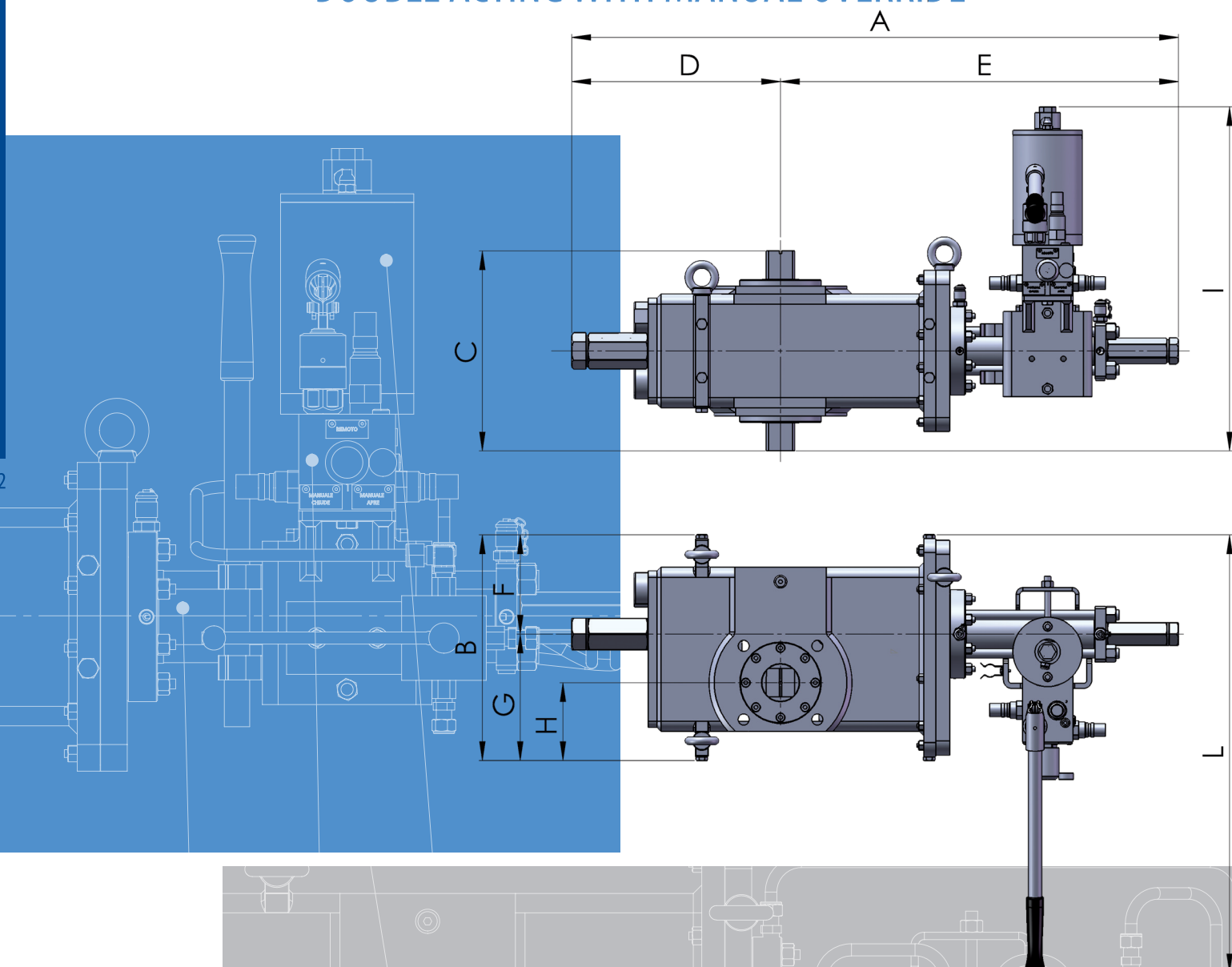
OVERALL DIMENSIONS

SINGLE ACTING

Model Size	A	B	C	D	E	F	G	H	I	Weight(Kg)
BYHS-05S/C-50-1C	730	156	187	137	375	355	84	103	71	38
BYHS-05S/C-50-1D	730	156	187	137	375	355	84	103	71	38
BYHS-05S/C-50-1E	730	156	187	137	375	355	84	103	71	38
BYHS-05S/C-50-1F	730	156	187	137	375	355	84	103	71	40
BYHS-05S/C-50-1G	730	156	187	137	375	355	84	103	71	40
BYHS-05S/C-50-1H	730	156	187	137	375	355	84	103	71	40
BYHS-20S/C-30-2A	1080	185	271	210	555	525	119	152	98	60
BYHS-20S/C-30-2B	1080	185	271	210	555	525	119	152	98	60
BYHS-20S/C-30-2C	1080	185	271	210	555	525	119	152	98	60
BYHS-20S/C-30-2D	1080	185	271	210	555	525	119	152	98	62
BYHS-20S/C-30-2E	1080	185	271	210	555	525	119	152	98	62
BYHS-20S/C-45-2A	1084	190	271	210	559	525	119	152	98	65
BYHS-20S/C-45-2B	1084	190	271	210	559	525	119	152	98	65
BYHS-20S/C-45-2C	1084	190	271	210	559	525	119	152	98	65
BYHS-20S/C-45-2D	1084	190	271	210	559	525	119	152	98	65
BYHS-20S/C-45-2E	1084	190	271	210	559	525	119	152	98	65
BYHS-20S/C-45-2F	1084	190	271	210	559	525	119	152	98	65
BYHS-20S/C-55-2A	1090	195	271	210	565	525	119	152	98	68
BYHS-20S/C-55-2B	1090	195	271	210	565	525	119	152	98	68
BYHS-20S/C-55-2C	1090	195	271	210	565	525	119	152	98	68
BYHS-20S/C-55-2D	1090	195	271	210	565	525	119	152	98	70
BYHS-20S/C-55-2E	1090	195	271	210	565	525	119	152	98	70
BYHS-20S/C-55-2F	1090	195	271	210	565	525	119	152	98	70
BYHS-20S/C-65-2A	1095	198	271	210	570	525	119	152	98	73
BYHS-20S/C-65-2B	1095	198	271	210	570	525	119	152	98	73
BYHS-20S/C-65-2C	1095	198	271	210	570	525	119	152	98	73
BYHS-20S/C-652D	1100	198	271	210	575	525	119	152	98	74
BYHS-20S/C-652E	1100	198	271	210	575	525	119	152	98	74
BYHS-20S/C-65-2F	1100	198	271	210	575	525	119	152	98	74
BYHS-20S/C-75-2A	1106	202	271	210	581	525	119	152	98	76
BYHS-20S/C-75-2B	1106	202	271	210	581	525	119	152	98	76
BYHS-20S/C-75-2C	1106	202	271	210	581	525	119	152	98	76
BYHS-20S/C-75-2D	1106	202	271	210	581	525	119	152	98	76
BYHS-20S/C-75-2E	1108	202	271	210	583	525	119	152	98	77
BYHS-20S/C-75-2F	1108	202	271	210	583	525	119	152	98	77
BYHS-50S/C-40-3A	1445	300	358	317	816	629	158	200	124	95
BYHS-50S/C-40-3B	1445	300	358	317	816	629	158	200	124	95
BYHS-50S/C-40-3C	1445	300	358	317	816	629	158	200	124	95
BYHS-50S/C-40-3D	1445	300	358	317	816	629	158	200	124	95
BYHS-50S/C-55-3A	1460	300	358	317	831	629	158	200	124	98
BYHS-50S/C-55-3B	1460	300	358	317	831	629	158	200	124	98
BYHS-50S/C-55-3C	1460	300	358	317	831	629	158	200	124	98
BYHS-50S/C-55-3D	1460	300	358	317	831	629	158	200	124	98
BYHS-50S/C-65-3A	1465	310	358	317	786	679	158	200	124	100
BYHS-50S/C-65-3B	1465	310	358	317	786	679	158	200	124	100
BYHS-50S/C-65-3C	1465	310	358	317	786	679	158	200	124	100
BYHS-50S/C-65-3D	1465	310	358	317	786	679	158	200	124	100
BYHS-50S/C-75-3A	1482	318	358	317	803	679	158	200	124	105
BYHS-50S/C-75-3B	1482	318	358	317	803	679	158	200	124	105
BYHS-50S/C-75-3C	1482	318	358	317	803	679	158	200	124	105
BYHS-50S/C-75-3D	1482	318	358	317	803	679	158	200	124	105
BYHS-50S/C-95-3A	1495	325	358	317	816	679	158	200	124	112
BYHS-50S/C-95-3B	1495	325	358	317	816	679	158	200	124	112
BYHS-50S/C-95-3C	1495	325	358	317	816	679	158	200	124	112
BYHS-50S/C-95-3D	1495	325	358	317	816	679	158	200	124	112

OVERALL DIMENSIONS

DOUBLE ACTING WITH MANUAL OVERRIDE

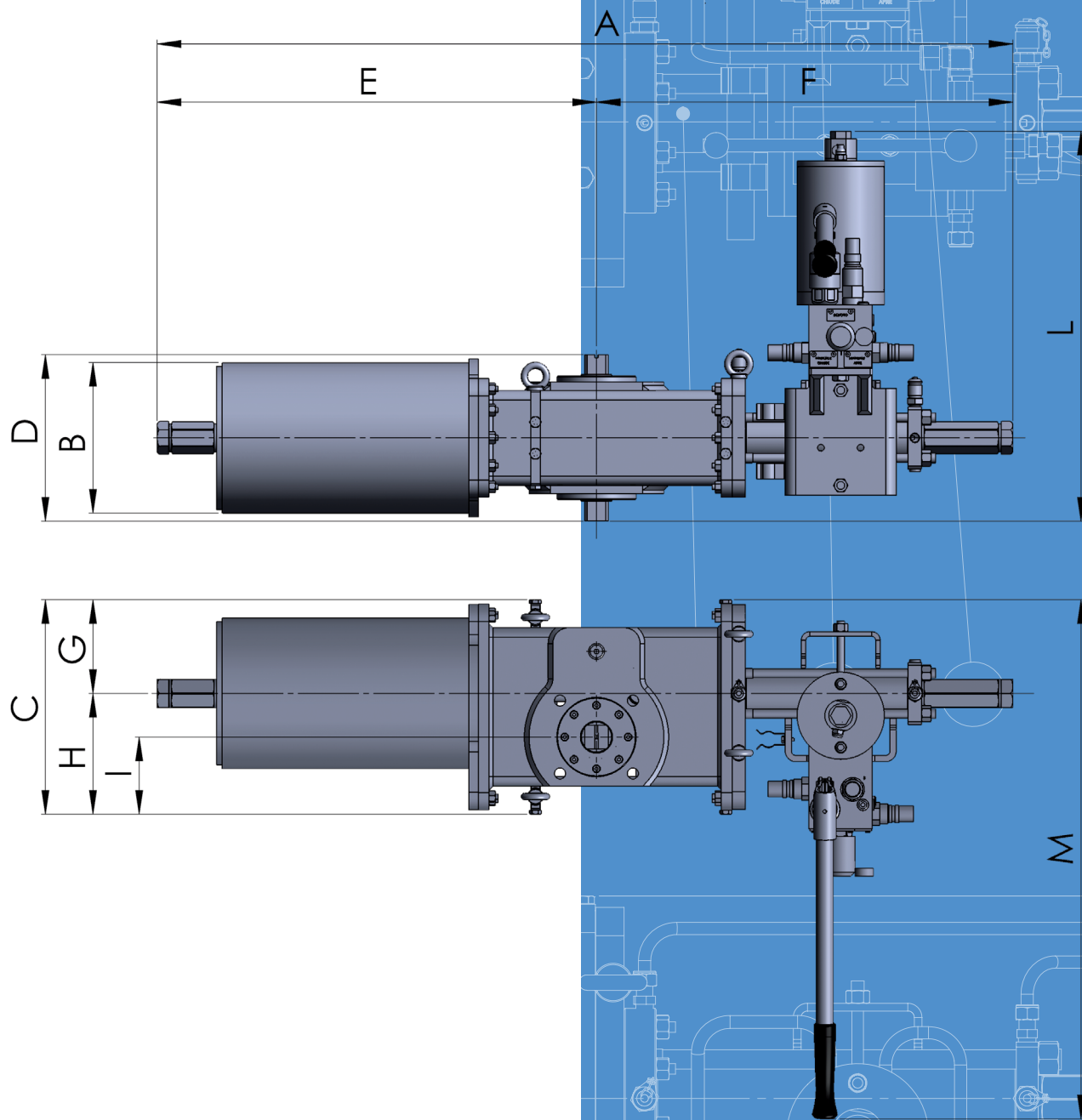


12

Model Size	A	B	C	D	E	F	G	H	I	L	Weight(Kg)
BYH-05S/C-20-MH	495	187	137	140	355	84	103	71	452	618	15
BYH-05S/C-25-MH	495	187	137	140	355	84	103	71	452	618	17
BYH-05S/C-30-MH	495	187	137	140	355	84	103	71	452	618	18
BYH-05S/C-40-MH	495	187	137	140	355	84	103	71	452	618	23
BYH-05S/C-50-MH	495	187	137	140	355	84	103	71	452	618	25
BYH-20S/C-20-MH	750	271	210	225	525	119	152	98	497	661	47
BYH-20S/C-30-MH	750	271	210	225	525	119	152	98	497	661	53
BYH-20S/C-45-MH	750	271	210	225	525	119	152	98	497	661	53
BYH-20S/C-55-MH	750	271	210	225	525	119	152	98	497	661	57
BYH-20S/C-65-MH	750	271	210	225	525	119	152	98	493	657	60
BYH-20S/C-75-MH	750	271	210	225	525	119	152	98	493	657	69
BYH-50S/C-30-MH	960	358	317	331	629	158	200	124	557	707	78
BYH-50S/C-40-MH	960	358	317	331	629	158	200	124	557	707	127
BYH-50S/C-55-MH	960	358	317	331	629	158	200	124	557	707	137
BYH-50S/C-65-MH	1010	358	317	331	679	158	200	124	574	723	145
BYH-50S/C-75-MH	1010	358	317	331	679	158	200	124	574	723	151
BYH-50S/C-95-MH	1010	358	317	331	679	158	200	124	584	733	160

OVERALL DIMENSIONS

SINGLE ACTING WITH MANUAL OVERRIDE



Model Size	A	B	C	D	E	F	G	H	I	L	M	Weight(Kg)
BYHS-05S/C-20-1A-MH	695	140	187	137	340	355	84	103	71	452	618	30
BYHS-05S/C-20-1B-MH	695	140	187	137	340	355	84	103	71	452	618	30
BYHS-05S/C-20-1C-MH	695	140	187	137	340	355	84	103	71	452	618	30
BYHS-05S/C-20-1D-MH	695	140	187	137	340	355	84	103	71	452	618	31
BYHS-05S/C-20-1E-MH	695	140	187	137	340	355	84	103	71	452	618	31
BYHS-05S/C-20-1F-MH	695	140	187	137	340	355	84	103	71	452	618	31
BYHS-05S/C-20-1G-MH	695	140	187	137	340	355	84	103	71	452	618	32
BYHS-05S/C-20-1H-MH	695	140	187	137	340	355	84	103	71	452	618	32
BYHS-05S/C-25-1A-MH	703	145	187	137	348	355	84	103	71	452	618	34
BYHS-05S/C-25-1B-MH	703	145	187	137	348	355	84	103	71	452	618	34

OVERALL DIMENSIONS

SINGLE ACTING WITH MANUAL OVERRIDE

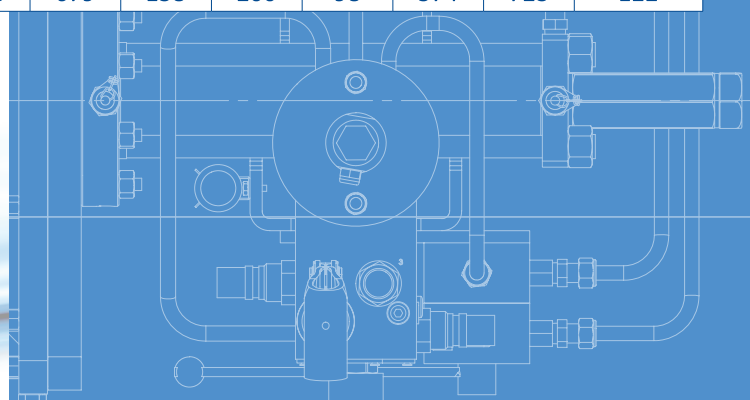
Model Size	A	B	C	D	E	F	G	H	I	L	M	Weight(Kg)
BYHS-05S/C-25-1C-MH	703	145	187	137	348	355	84	103	71	452	618	34
BYHS-05S/C-25-1D-MH	705	145	187	137	350	355	84	103	71	452	618	35
BYHS-05S/C-25-1E-MH	705	145	187	137	350	355	84	103	71	452	618	35
BYHS-05S/C-251F-MH	705	145	187	137	350	355	84	103	71	452	618	35
BYHS-05S/C-251G-MH	705	145	187	137	350	355	84	103	71	452	618	36
BYHS-05S/C-25-1H-MH	705	145	187	137	350	355	84	103	71	452	618	36
BYHS-05S/C-30-1A-MH	710	148	187	137	355	355	84	103	71	452	618	38
BYHS-05S/C-30-1B-MH	710	148	187	137	355	355	84	103	71	452	618	38
BYHS-05S/C-30-1C-MH	710	148	187	137	355	355	84	103	71	452	618	38
BYHS-05S/C-30-1D-MH	710	148	187	137	355	355	84	103	71	452	618	38
BYHS-05S/C-30-1E-MH	710	148	187	137	355	355	84	103	71	452	618	38
BYHS-05S/C-30-1F-MH	710	148	187	137	355	355	84	103	71	452	618	40
BYHS-05S/C-30-1G-MH	710	148	187	137	355	355	84	103	71	452	618	40
BYHS-05S/C-30-1H-MH	710	148	187	137	355	355	84	103	71	452	618	40
BYHS-05S/C-40-1A-MH	720	151	187	137	365	355	84	103	71	452	618	44
BYHS-05S/C-40-1B-MH	720	151	187	137	365	355	84	103	71	452	618	44
BYHS-05S/C-40-1C-MH	720	151	187	137	365	355	84	103	71	452	618	44
BYHS-05S/C-40-1D-MH	720	151	187	137	365	355	84	103	71	452	618	44
BYHS-05S/C-40-1E-MH	720	151	187	137	365	355	84	103	71	452	618	44
BYHS-05S/C-40-1F-MH	722	151	187	137	367	355	84	103	71	452	618	45
BYHS-05S/C-40-1G-MH	722	151	187	137	367	355	84	103	71	452	618	45
BYHS-05S/C-40-1H-MH	722	151	187	137	367	355	84	103	71	452	618	45
BYHS-05S/C-50-1A-MH	730	156	187	137	375	355	84	103	71	452	618	48
BYHS-05S/C-50-1B-MH	730	156	187	137	375	355	84	103	71	452	618	48
BYHS-05S/C-50-1C-MH	730	156	187	137	375	355	84	103	71	452	618	48
BYHS-05S/C-50-1D-MH	730	156	187	137	375	355	84	103	71	452	618	48
BYHS-05S/C-50-1E-MH	730	156	187	137	375	355	84	103	71	452	618	48
BYHS-05S/C-50-1F-MH	730	156	187	137	375	355	84	103	71	452	618	50
BYHS-05S/C-50-1G-MH	730	156	187	137	375	355	84	103	71	452	618	50
BYHS-05S/C-50-1H-MH	730	156	187	137	375	355	84	103	71	452	618	50
BYHS-20S/C-30-2A-MH	1080	185	271	210	555	525	119	152	98	497	661	70
BYHS-20S/C-30-2B-MH	1080	185	271	210	555	525	119	152	98	497	661	70
BYHS-20S/C-30-2C-MH	1080	185	271	210	555	525	119	152	98	497	661	70
BYHS-20S/C-30-2D-MH	1080	185	271	210	555	525	119	152	98	497	661	72
BYHS-20S/C-30-2E-MH	1080	185	271	210	555	525	119	152	98	497	661	72
BYHS-20S/C-45-2A-MH	1084	190	271	210	559	525	119	152	98	497	661	75
BYHS-20S/C-45-2B-MH	1084	190	271	210	559	525	119	152	98	497	661	75
BYHS-20S/C-45-2C-MH	1084	190	271	210	559	525	119	152	98	497	661	75
BYHS-20S/C-45-2D-MH	1084	190	271	210	559	525	119	152	98	497	661	75
BYHS-20S/C-45-2E-MH	1084	190	271	210	559	525	119	152	98	497	661	75

OVERALL DIMENSIONS

SINGLE ACTING WITH MANUAL OVERRIDE



Model Size	A	B	C	D	E	F	G	H	I	L	M	Weight(Kg)
BYHS-20S/C-45-2F-MH	1084	190	271	210	559	525	119	152	71	497	661	75
BYHS-20S/C-55-2A-MH	1090	195	271	210	565	525	119	152	71	497	661	78
BYHS-20S/C-55-2B-MH	1090	195	271	210	565	525	119	152	71	497	661	78
BYHS-20S/C-55-2C-MH	1090	195	271	210	565	525	119	152	71	497	661	78
BYHS-20S/C-55-2D-MH	1090	195	271	210	565	525	119	152	71	497	661	80
BYHS-20S/C-55-2E-MH	1090	195	271	210	565	525	119	152	71	497	661	80
BYHS-20S/C-55-2F-MH	1090	195	271	210	565	525	119	152	71	497	661	80
BYHS-20S/C-65-2A-MH	1095	198	271	210	570	525	119	152	71	497	661	83
BYHS-20S/C-65-2B-MH	1095	198	271	210	570	525	119	152	71	497	661	83
BYHS-20S/C-65-2C-MH	1095	198	271	210	570	525	119	152	71	497	661	83
BYHS-20S/C-652D-MH	1100	198	271	210	575	525	119	152	71	497	661	84
BYHS-20S/C-652E-MH	1100	198	271	210	575	525	119	152	71	497	661	84
BYHS-20S/C-65-2F-MH	1100	198	271	210	575	525	119	152	71	497	661	84
BYHS-20S/C-75-2A-MH	1106	202	271	210	581	525	119	152	71	497	661	86
BYHS-20S/C-75-2B-MH	1106	202	271	210	581	525	119	152	71	497	661	86
BYHS-20S/C-75-2C-MH	1106	202	271	210	581	525	119	152	71	497	661	86
BYHS-20S/C-75-2D-MH	1106	202	271	210	581	525	119	152	71	497	661	86
BYHS-20S/C-75-2E-MH	1108	202	271	210	583	525	119	152	71	497	661	87
BYHS-20S/C-75-2F-MH	1108	202	271	210	583	525	119	152	71	497	661	87
BYHS-50S/C-40-3A-MH	1445	300	358	317	816	629	158	200	71	557	707	105
BYHS-50S/C-403B-MH	1445	300	358	317	816	629	158	200	71	557	707	105
BYHS-50S/C-403C-MH	1445	300	358	317	816	629	158	200	71	557	707	105
BYHS-50S/C-403D-MH	1445	300	358	317	816	629	158	200	71	557	707	105
BYHS-50S/C-55-3A-MH	1460	300	358	317	831	629	158	200	71	557	707	108
BYHS-50S/C-55-3B-MH	1460	300	358	317	831	629	158	200	71	557	707	108
BYHS-50S/C-55-3C-MH	1460	300	358	317	831	629	158	200	71	557	707	108
BYHS-50S/C-55-3D-MH	1460	300	358	317	831	629	158	200	71	557	707	108
BYHS-50S/C-65-3A-MH	1465	310	358	317	786	679	158	200	71	574	723	110
BYHS-50S/C-65-3B-MH	1465	310	358	317	786	679	158	200	71	574	723	110
BYHS-50S/C-65-3C-MH	1465	310	358	317	786	679	158	200	71	574	723	110
BYHS-50S/C-65-3D-MH	1465	310	358	317	786	679	158	200	98	574	723	110
BYHS-50S/C-75-3A-MH	1482	318	358	317	803	679	158	200	98	574	723	115
BYHS-50S/C-75-3B-MH	1482	318	358	317	803	679	158	200	98	574	723	115
BYHS-50S/C-75-3C-MH	1482	318	358	317	803	679	158	200	98	574	723	115
BYHS-50S/C-75-3D-MH	1482	318	358	317	803	679	158	200	98	574	723	115
BYHS-50S/C-95-3A-MH	1495	325	358	317	816	679	158	200	98	574	723	122
BYHS-50S/C-95-3B-MH	1495	325	358	317	816	679	158	200	98	574	723	122
BYHS-50S/C-95-3C-MH	1495	325	358	317	816	679	158	200	98	574	723	122
BYHS-50S/C-95-3D-MH	1495	325	358	317	816	679	158	200	98	574	723	122



DVG AUTOMATION S.p.A.

Permanent Headquarters:

Via G. Rossetti, 2 - 29016 Cortemaggiore (PC) - Italy

REA Nr 167410 VAT Nr 01494460338

www.dvgautomation.it info@dvgautomation.it

Tel. (+39) 0523 255811 Fax (+39) 0523 255890

BYH102010

